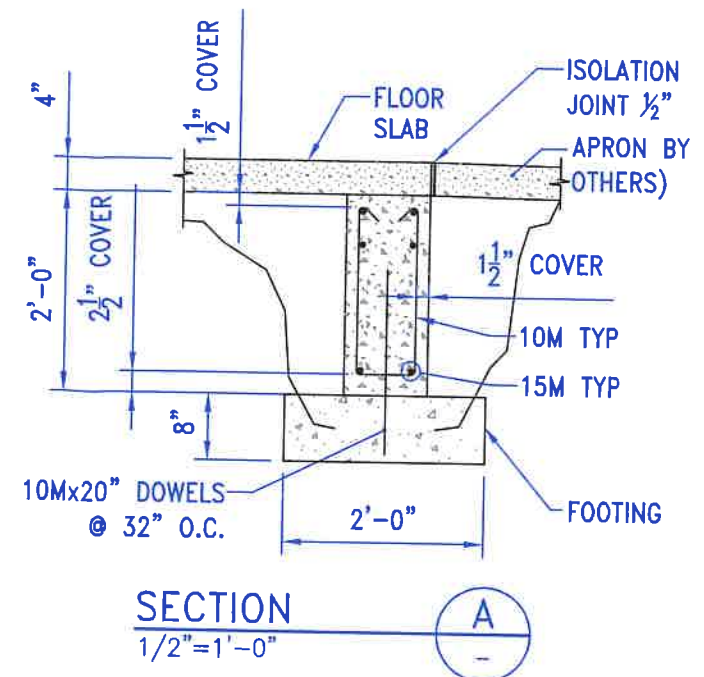
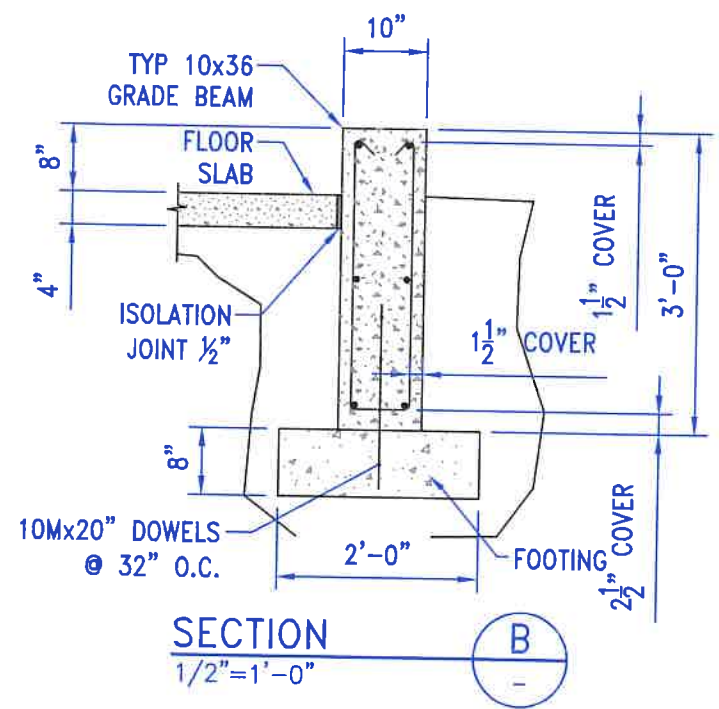


**FOUNDATION PLAN**  
42'x36' GARAGE (1472 sqft)



**SECTION A**  
1/2" = 1'-0"



**SECTION B**  
1/2" = 1'-0"

**CONCRETE NOTES**

**CODES AND STANDARDS:**

1. ALL WORK SHALL CONFORM TO THE LATEST EDITION OF THE FOLLOWING CODES, STANDARDS AND REGULATIONS WHERE APPLICABLE.
  - THE NATIONAL BUILDING CODE OF CANADA (NBC)
  - CAN/CSA CSA A23.3 "DESIGN OF CONCRETE STRUCTURES" (AND OTHER APPLICABLE CSA STANDARDS)

**FORMWORK:**

2. FORMWORK TO CONFORM TO CSA 269.1, CSA 269.3 AND CSA A23.1
3. REMOVE LAITANCE AND DEBRIS FROM FORMWORK & REBAR PRIOR TO PLACING CONCRETE.

**REINFORCING STEEL:**

4. STEEL TO CONFORM TO CSA G30.18, 400 MPa DEFORMED BLACK BARS.
5. TIE WIRE TO BE 16GA OR HEAVIER, ANNEALED WIRE.
6. WELDED WIRE MESH SHALL CONFORM TO CSA G30.5

**CONCRETE CLEAR COVER TO REINFORCING (U/N)**

FORMED CONCRETE: 1 1/2 IN  
CAST AGAINST EARTH: 2 1/2 IN

**MINIMUM LAP LENGTHS:**

FOR 15M BARS: 24 IN  
FOR 10M BARS: 16 IN

**FLOOR SLAB**

1. MINIMUM 28 DAY COMPRESSIVE STRENGTH 5000 PSI USING SULPHATE RESISTANCE CEMENT, TYPE 50.
2. CONCRETE 4" REINF W/10M MID-DEPTH AT 16" O/C EA WAY ON 6 MIL CGSB POLY VAPOR BARRIER ON 8" CRUSHED STONE.

**GRADE BEAM**

1. MINIMUM 28 DAY COMPRESSIVE STRENGTH 5000 PSI USING SULPHATE RESISTANCE CEMENT, TYPE 50.
2. CONCRETE 36"x10" REINF W/(2)-15M TOP, BOTTOM & MID-DEPTH WITH VERTICAL 10M STIRRUPS @ 20" O/C

**FOOTINGS:**

1. MINIMUM 28 DAY COMPRESSIVE STRENGTH 5000 PSI USING SULPHATE RESISTANCE CEMENT, TYPE 50.
2. FOOTING DESIGN BASED ON COHESIVE SOIL (CLAY OR TILL) WITH A MIN SKIN FRICTION OF 420 PSF.

		ENGINEERING STAMP/SCALE:		DEFAULT TOLERANCES U/N FINISH: (SEE SPEC) HOLE DIMENSIONS: (SEE SPEC) ANGLES: 90° MECHANICAL: (BREAK SHARP CORNERS) CONCENTRICITY: ±0.010" TYP MACHINE FINISH: 125 MICRO INCH RMS MAXIMUM SURFACE FINISH: 0.015"		CLIENT: D. STEPHENS PROJECT: GARAGE 42x36 FOUNDATION PLAN - 143 TAGGART CRES.		TOTAL QTY: 1	
DRAWING REVISIONS:		DATE: 01Aug2022		DRAWN BY: D. CARTER		DATE: 01Aug2022		PROJECT NUMBER: 22A054	
NO REVISION HISTORY		BY: DD Mon YYYY		CHECKED BY:		DATE:		PART DESCRIPTION: FOUNDATION PLAN	
A ISSUED FOR REVIEW		DLC 01Aug2022		DATE:		DATE:		SCALE: 1"=1'-0"	
NO REVISION HISTORY		BY: DD Mon YYYY		DATE:		DATE:		DO NOT SCALE FROM DRAWING	
DRAWING REVISIONS:		DESCRIPTION:		WEIGHT (LBS):		GRADE:		SHEET 1 OF 1	