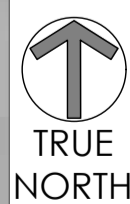




RETURN IT - EXPRESS & GO  
 5009 VETERANS WAY,  
 OKANAGAN FALLS, BC V0H 1R0



1 MAP - BIRDS EYE VIEW  
 A00.0 SCALE: NTS

**DIRECTORY**

**CLIENT:** ENCORP PACIFIC  
**CONTACT:** DOUG MERRIER  
**EMAIL:** dmerrier@returnit.ca

**DESIGN:** JANKS DESIGN GROUP  
 #201 1220 E PENDER STREET  
 VANCOUVER, BC  
 V6A 1W8

**CONTACT:** RUTH JANKLOWITZ  
 PRINCIPAL

MELISSA LEE  
 DESIGNER

SHAN SELVARAJ  
 DESIGNER

TEL: 604-266-5474

EMAIL: ruth@janksdesigngroup.com  
 melissa@janksdesigngroup.com  
 shan@janksdesigngroup.com

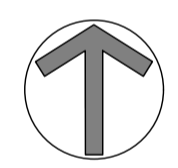
**DRAWING LIST**

ARCHITECTURAL	
A00.0	TITLE SHEET
A01.0	PROPOSED LAYOUT & DETAILS

**LEGAL DESCRIPTION**

**DESCRIPTION:** LOT 1, PLAN KAP23248, DISTRICT LOT 374, SIMLKAMEEN DIV OF YALE LAND DISTRICT, OKANAGAN FALLS TOWNSITE  
**PID:** 006-530-966  
**CIVIC ADDRESS:** 5009 VETERANS WAY, OKANAGAN FALLS, BC V0H 1R0

Rev #	Date	Revision Description
01	APR.10.2024	ISSUED FOR REVIEW
02	APR.15.2024	ISSUED FOR PERMIT
03	MAY.14.2024	REISSUED FOR PERMIT
04	JUN.18.2024	REISSUED FOR PERMIT
05	JUL.03.24	REVISED FOR PERMIT



PROJECT NORTH

**Drawing Status:**  
 Issued For Review  
 Issued For LL Review  
 Issued For Permit  
 Issued For Tender  
 Issued For Construction



Interior Design +  
**janks design group**  
 201 - 1220 East Pender St.  
 Vancouver, B.C. V6A 1W8

Phone: 604. 266 5474  
 email: info@janksdesigngroup.com

Client:



ENCORP PACIFIC

Project:  
 RETURN-IT EXPRESS & GO  
 5009 VETERANS WAY  
 OKANAGAN FALLS, BC

Title:  
**TITLE SHEET**

Drawn By:  
 M.L.

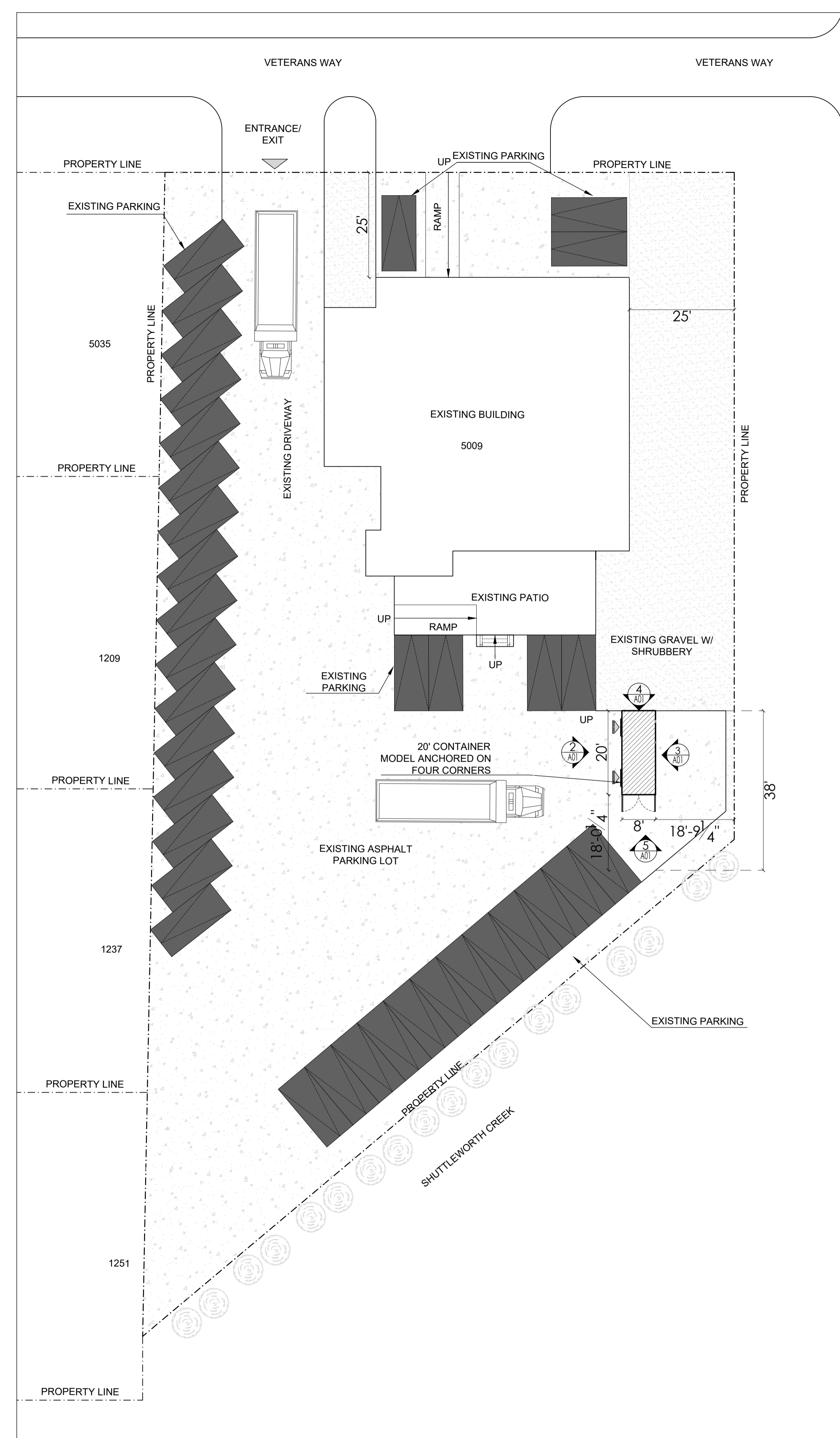
Start Date:  
 10.04.24

Scale:

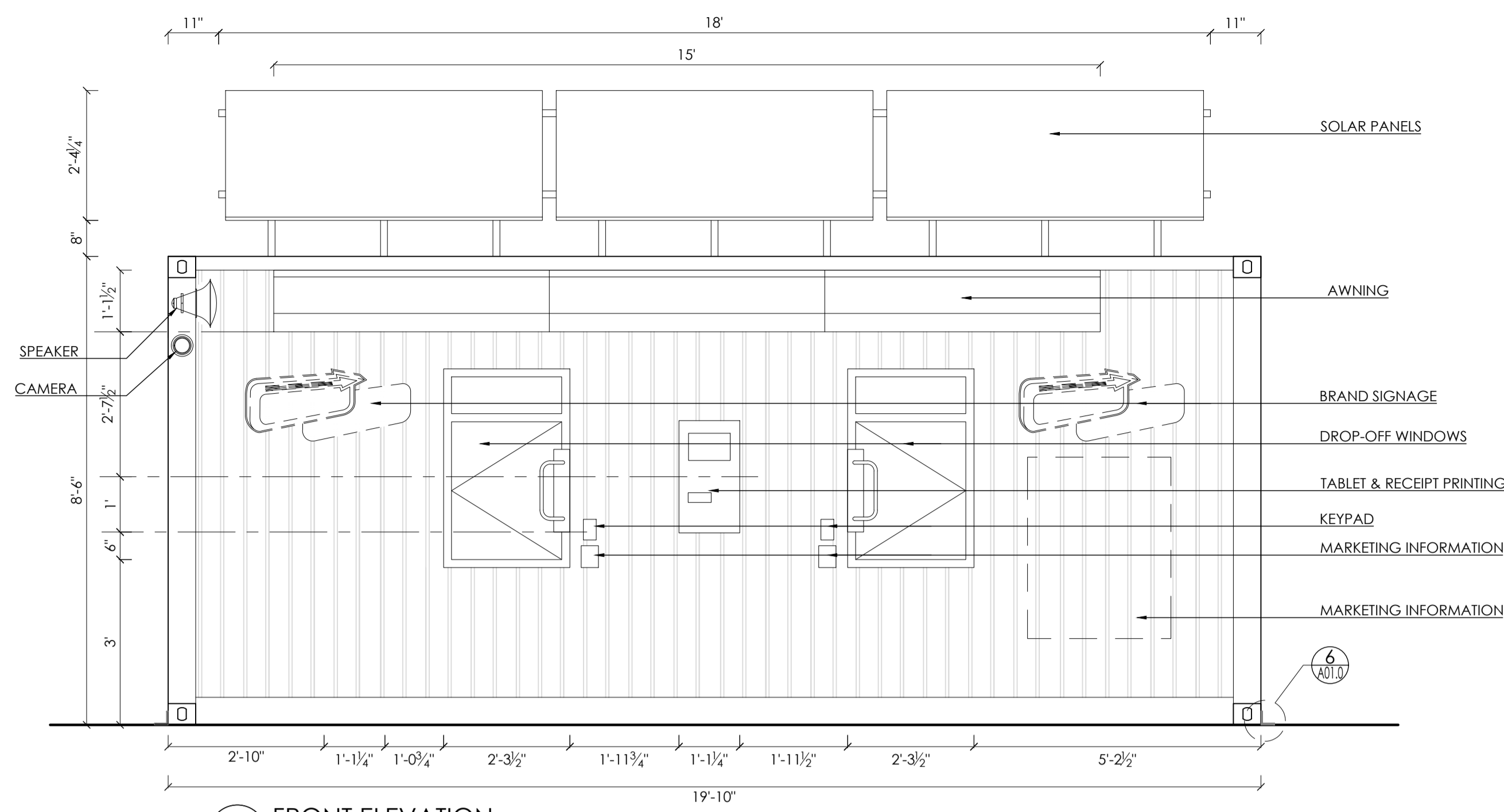
AS NOTED

Sheet #:

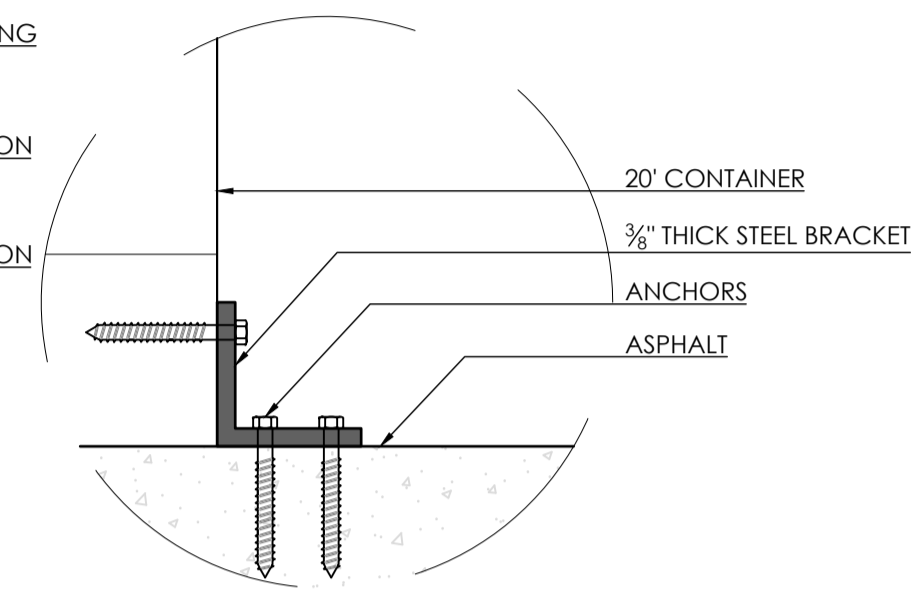
**A00.0**



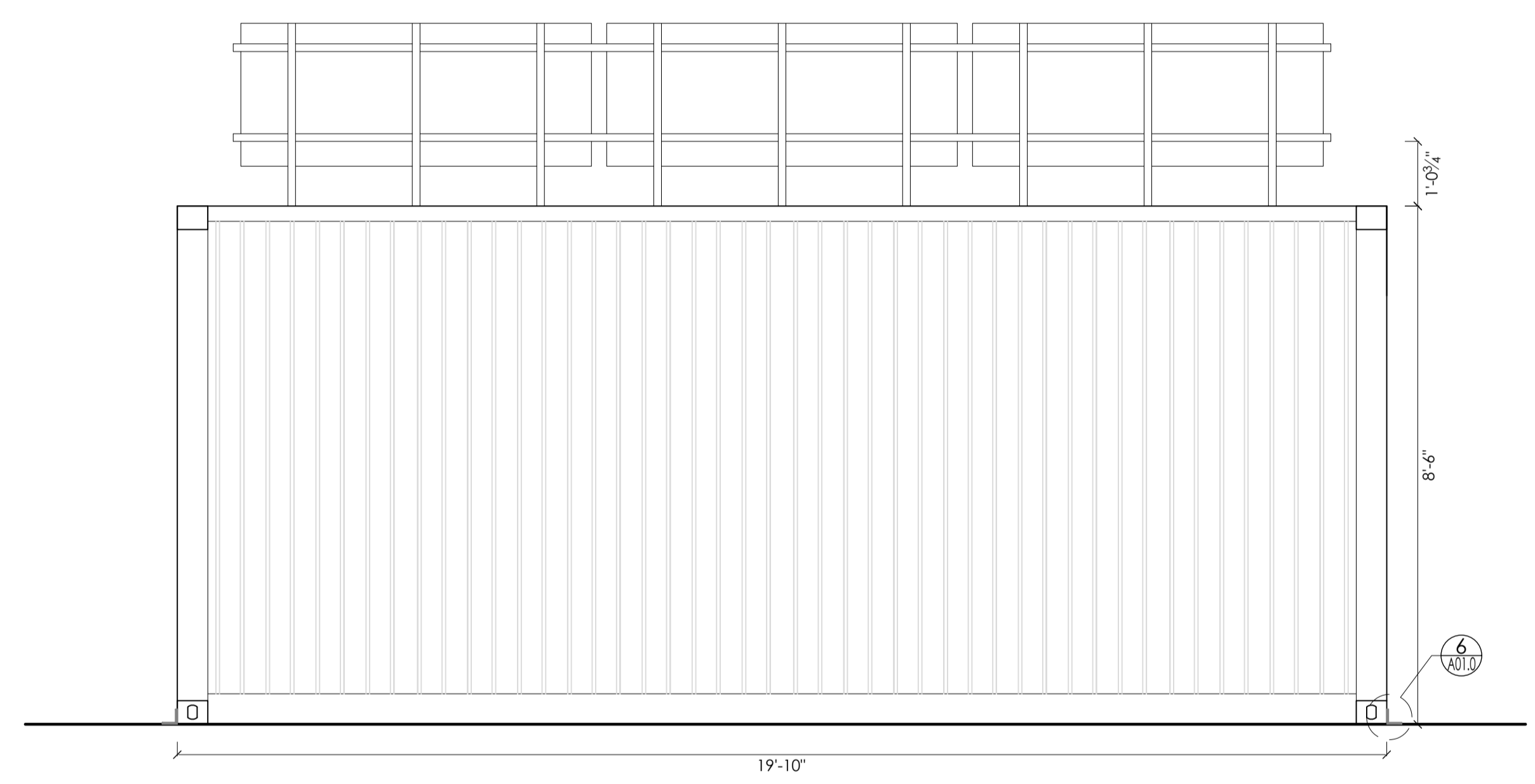
1 GENERAL LAYOUT  
A01.0 SCALE: 1/16"=1'-0"



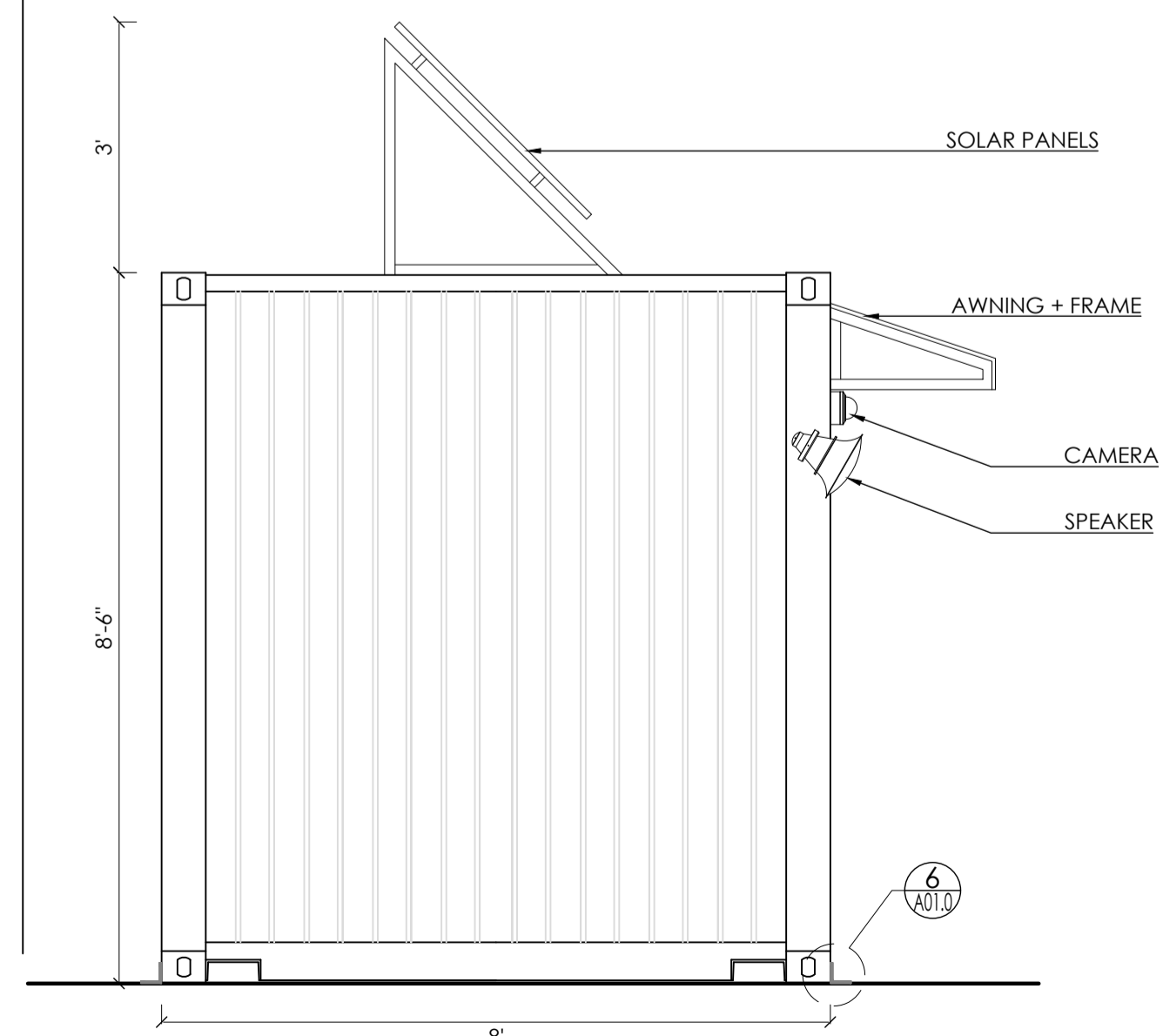
2 FRONT ELEVATION  
A01.0 SCALE: 1/2"=1'-0"



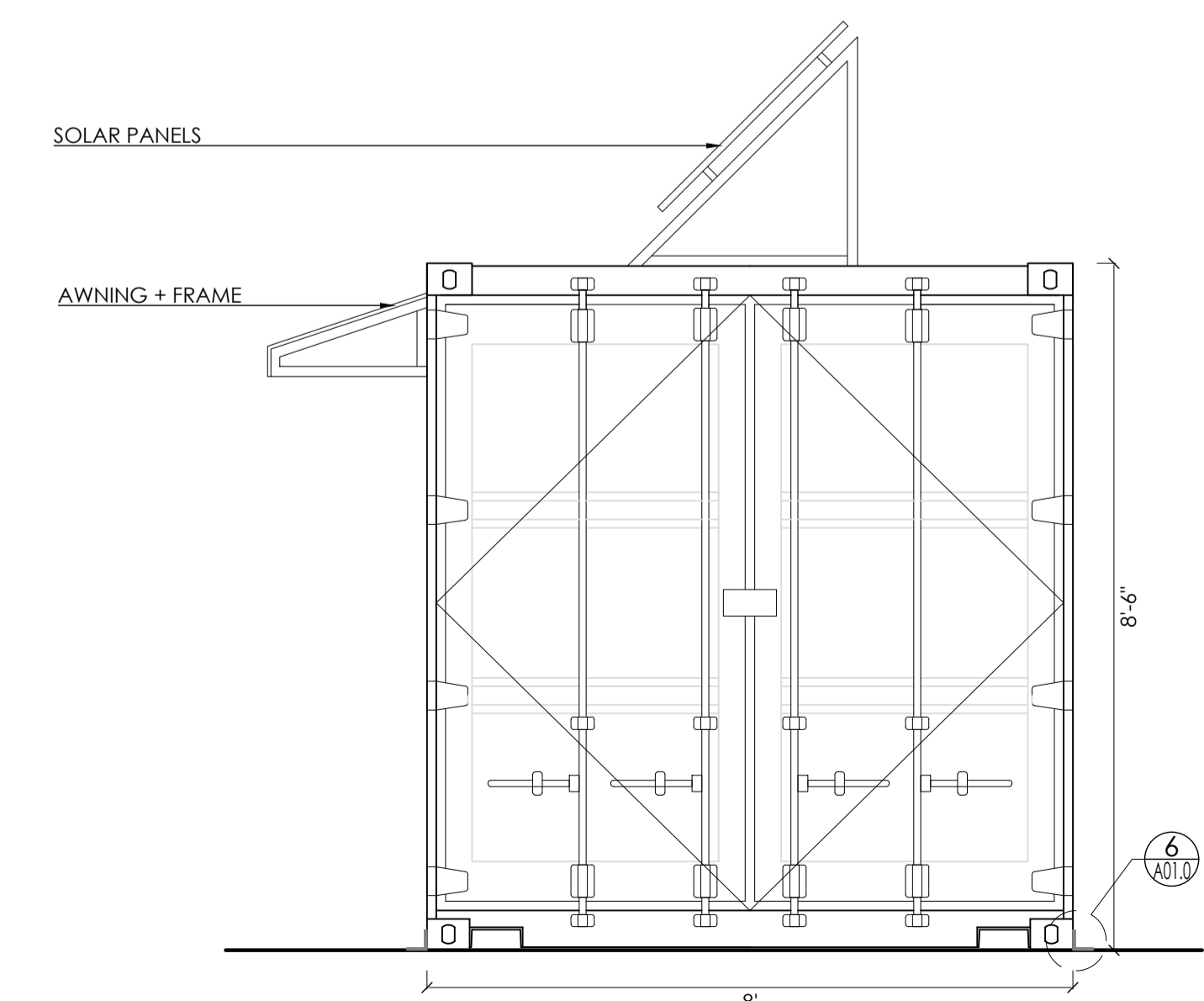
6 DETAIL A  
A01.0 SCALE: 3"=1'-0"



3 REAR ELEVATION  
A01.0 SCALE: 1/2"=1'-0"



4 SIDE ELEVATION  
A01.0 SCALE: 1/2"=1'-0"



5 SIDE ELEVATION  
A01.0 SCALE: 1/2"=1'-0"

Rev #	Date	Revision Description
01	APR.10.2024	ISSUED FOR REVIEW
02	APR.15.2024	ISSUED FOR PERMIT
03	MAY.14.2024	REISSUED FOR PERMIT
04	JUN.18.2024	REISSUED FOR PERMIT
05	JUL.03.24	REVISED FOR PERMIT

PROJECT NORTH

Drawing Status:  
 Issued For Review  
 Issued For LL Review  
 Issued For Permit  
 Issued For Tender  
 Issued For Construction

**JDG.**  
 Interior Design +  
**janks design group**  
 201 - 1220 East Pender St.  
 Vancouver, B.C. V6A 1W8  
 Phone: 604. 266 5474  
 email: info@jankdesigngroup.com

**ENCORP PACIFIC**

Project:  
 RETURN-IT EXPRESS & GO  
 5009 VETERANS WAY  
 OKANAGAN FALLS, BC  
 Title:  
**PROPOSED LAYOUT & DETAILS**

Drawn By: M.L.	Start Date: 10.04.24
Scale: AS NOTED	Sheet #: <b>A01.0</b>