



Regional District of Okanagan-Similkameen

101 Martin Street, Penticton, BC, V2A 5J9

Telephone: 250-490-4129

Email: solidwaste@rdos.bc.ca

New Cart or Cart Change-out Request Form

Date: _____ Dwelling Address: _____

Dwelling Owner Name: _____ Unit Number: _____

New Cart Request only: Is this for a New Build or Secondary Dwelling? _____

Phone: _____ Email: _____

Dwelling Owner Signature: _____

Signature on this form authorizes Regional District of Okanagan-Similkameen to apply any additional charges for cart service upgrades to bills.

New Cart Request *(for a dwelling that does not have any carts yet)*

New dwelling owner requests standard 3 cart program (120L garbage, 240L recycle, 240L yard waste)

New dwelling owner requests other: (check all that apply below)

Cart Change-out Request *(for a dwelling that already has carts)*

I am aware that a \$47 administration/delivery fee applies to cart change-out requests.

The administration/delivery fee will be added to your utility bill and is only applied when changing out carts where the dwelling already has carts or adding carts that were previously opted out of.

The following fees are in addition to the Curbside Solid Waste Collection and Drop-Off Service Fees and will be added to your utility bill. Village of Keremeos residents will have the fees on property tax. The following fees are established in the RDOS Fees and Charges Bylaw and are subject to change as the bylaw is amended:

Garbage cart – standard: 120L

Upsize to a 240L cart (**\$60 additional annual fee**)

Upgrade to a 120L wildlife-resistant garbage cart (**\$48 additional annual fee**)

Recycle cart – standard: 240L

Upsize to a 360L cart (**no additional fee**)

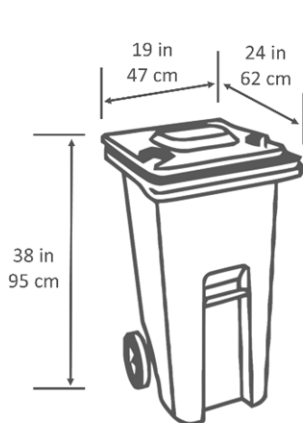
Yard waste cart – standard: 240L

Add 1 – 240L cart to my existing cart (**\$60 additional annual fee**)

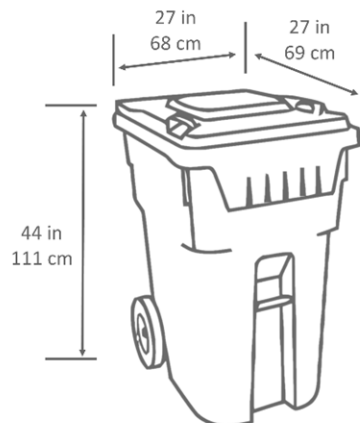
Downsize to a 120L cart (**no change in annual fee**)

No yard waste cart (**no change in annual fee**)

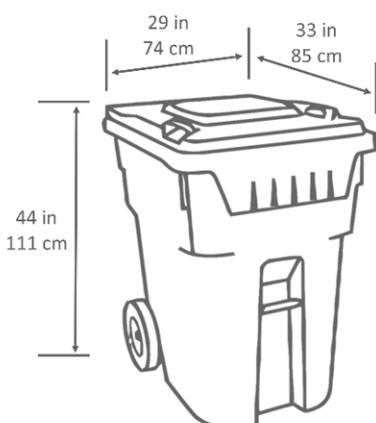
Other instructions/notes: _____



120 litre
(35 gallon)



240 litre
(65 gallon)



360 litre
(95 gallon)