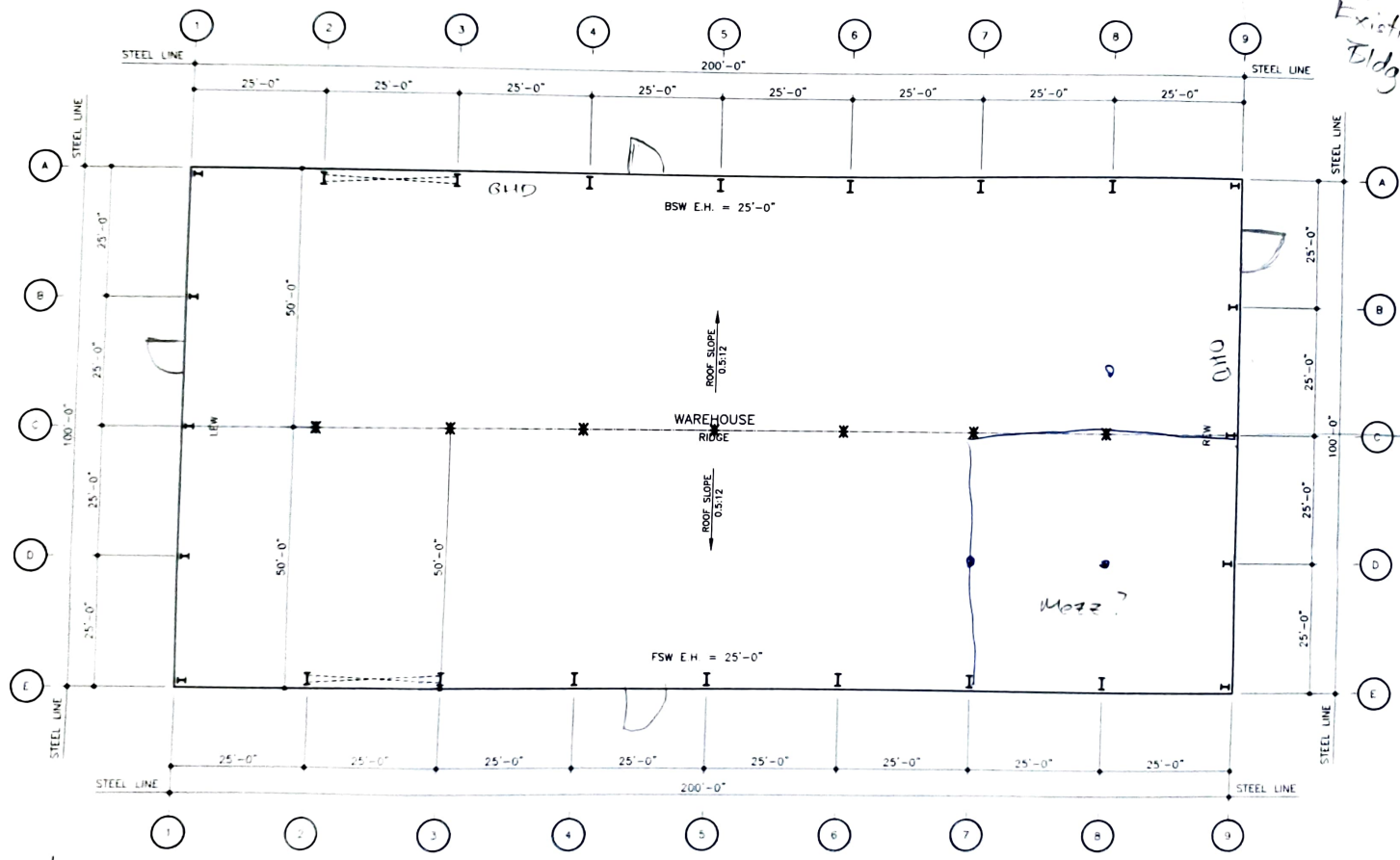


Existing Bldg.

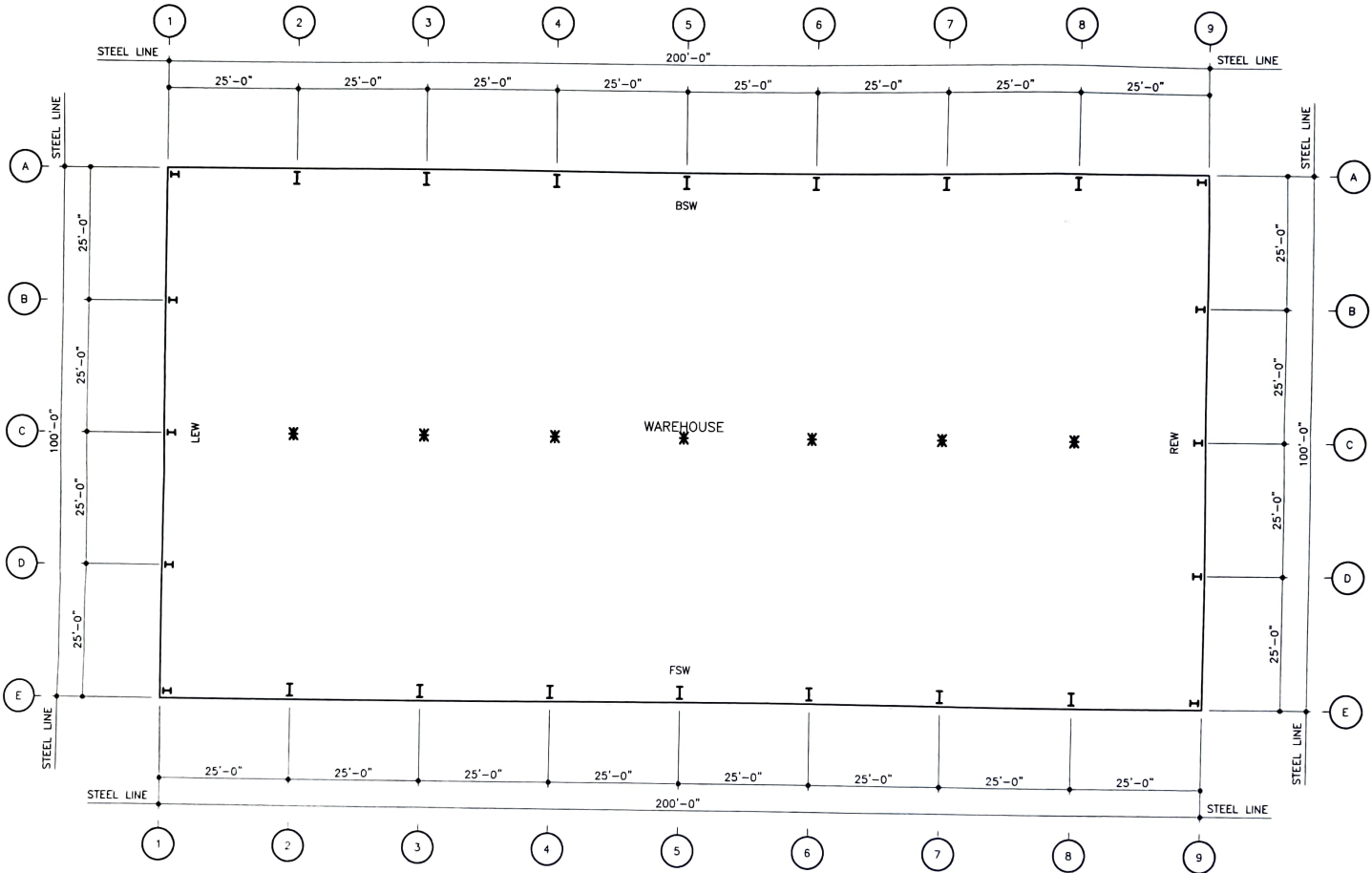


PROJECT NAME
SM PRODUCE
OSOYODS, BC
ESTIMATE NAME
NORSTEEL BUILDING SYSTEMS LTD
KFI/DWNA RC

DO NOT USE FOR FINAL CONSTRUCTION
DATE
6/17/2022 1:42 PM
PRELIMINARY FLOOR PLAN
PROJECT NUMBER
Q22-64
FPI



Cheaper if posts in middle is ok.
Mark-up where you want doors (overhead-man)



DO NOT USE FOR FINAL CONSTRUCTION

DATE: 6/7/2022 1:42 PM

TITLE: PRELIMINARY CRANE PLAN

PROJECT NAME: SM PRODUCE

LOCATION: OSOYOOS, BC

CUSTOMER NAME: NORSTEEL BUILDING SYSTEMS LTD

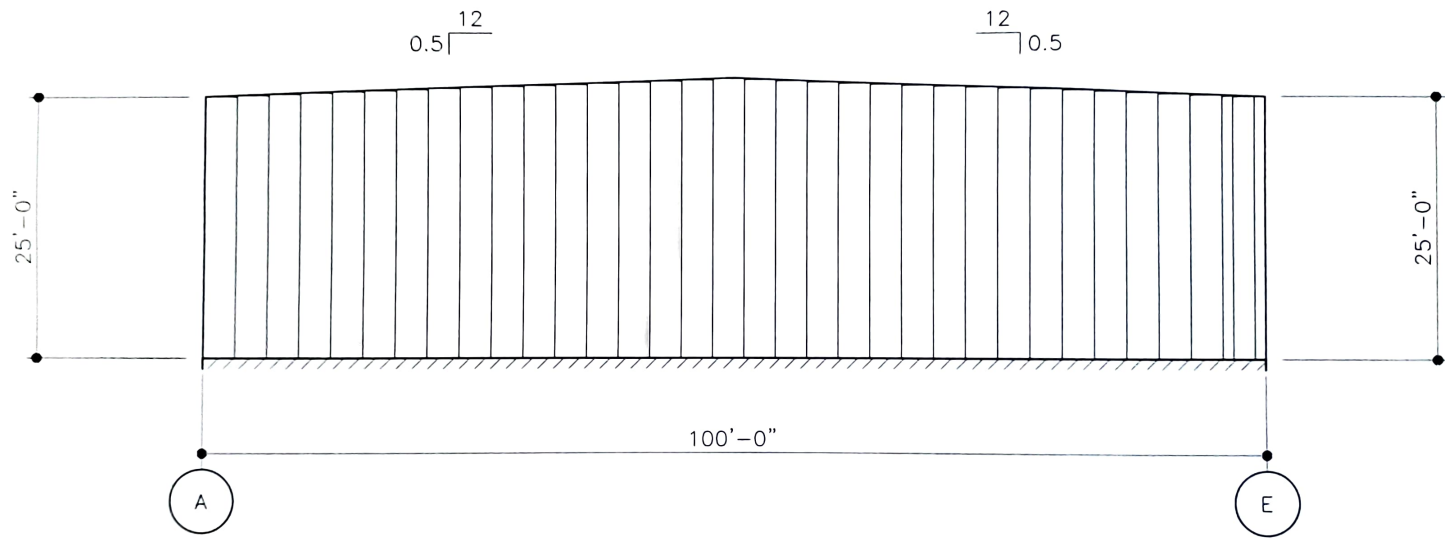
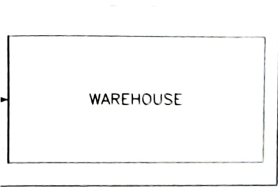
QUOTE NUMBER: Q22-64

PROJECT NUMBER: CP1

DATE: 6/7/2022


BY: eQuote

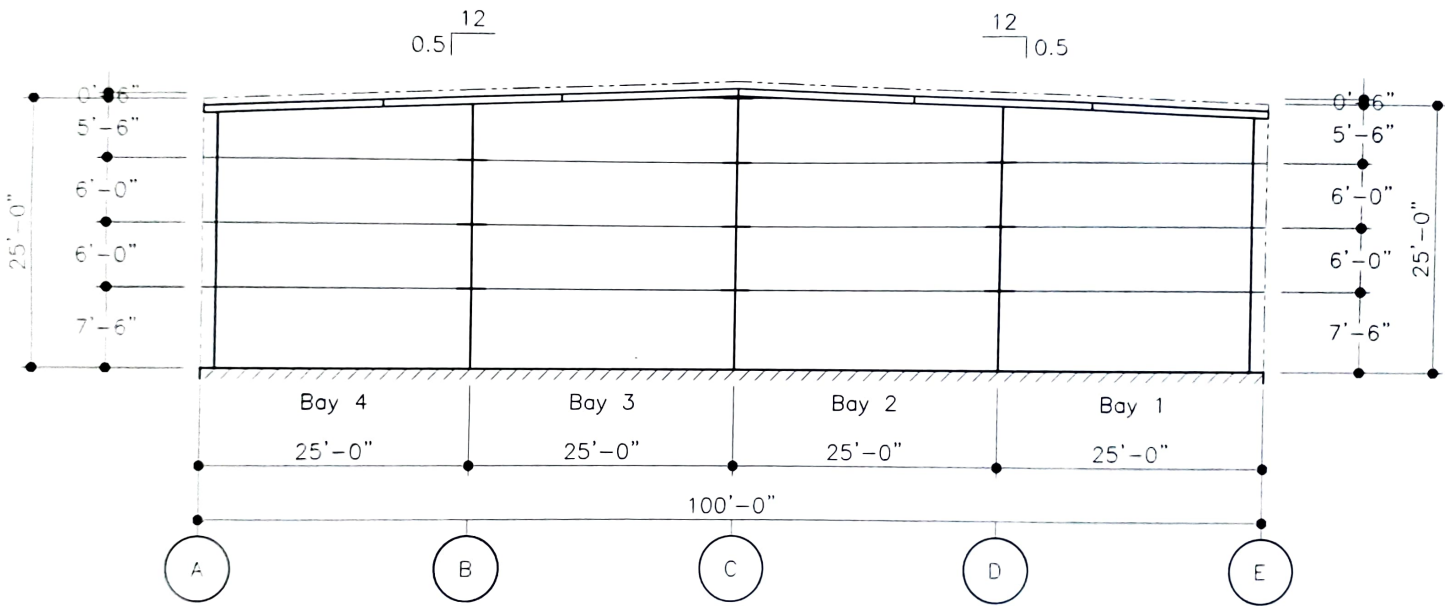
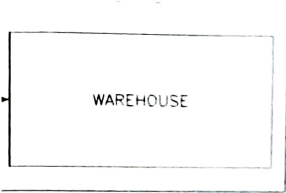
NORSTEEL BUILDING SYSTEMS LTD



WALL SHEETING ELEVATION AT LINE 1

PANELS: 26 GA. REVERSE CLASSIC WALL - TO BE SELECTED (SP)

	
DO NOT USE FOR FINAL CONSTRUCTION	
PROJECT NAME SM PRODUCE	DATE 6/2/2022 1:42 PM
CUSTOMER NAME NORSTEEL BUILDING SYSTEMS LTD	QUOTE NUMBER 022-64
PROJECT NUMBER 0501005_BC	LOCATION KFTOWNA RC
WSS	



ELEVATION AT LINE 1

DO NOT USE FOR FINAL CONSTRUCTION PROJECT NAME SM PRODUCE 6/12/2022 1:42 PM PRELIMINARY STRUCTURAL ELEVATIONS 022-64 SITE	PRODUCT NAME SM PRODUCE	OSOYDOS, BC CUSTOMER NAME NORSTEEL BUILDING SYSTEMS LTD KFLIOWNA, RC	